



Ao / PolyPanel

Tiled-look

Stackable

Modular Wall

Systems

PolyPanel

.....For the Ao System



Ao/PolyPanel

Compatico Ao / PolyPanel System

Fabric, Laminate, Glass, Open, Marker Board Options

The Compatico PolyPanel System is a completely new, one of a kind, tiered panel system that offers maximum design flexibility with a variety of options. With Compatico PolyPanel you get the look of a stackable tile system at a much lower price.

Customize Your Work Space

Compatico PolyPanel's multi-panel and frame system is attractive, easy to plan, and provides more options for your office system panels. Up to seven different panels can be stacked on each other to create multiple designs on each panel wall. This allows you to create a customized design for your workspace.



A Simple, Sensible Investment

The Compatico PolyPanel maintains much of the basic design of Compatico's successful Ao¹/Ao² Office Furniture System. This system allows us to stack multiple panels and meet the ANSI/BIFMA structural standards. By introducing different fabrics, and using glazed window units (smoked, frosted, or clear) or other options when desired, Compatico's PolyPanel System creates the tile look at a fraction of the cost.

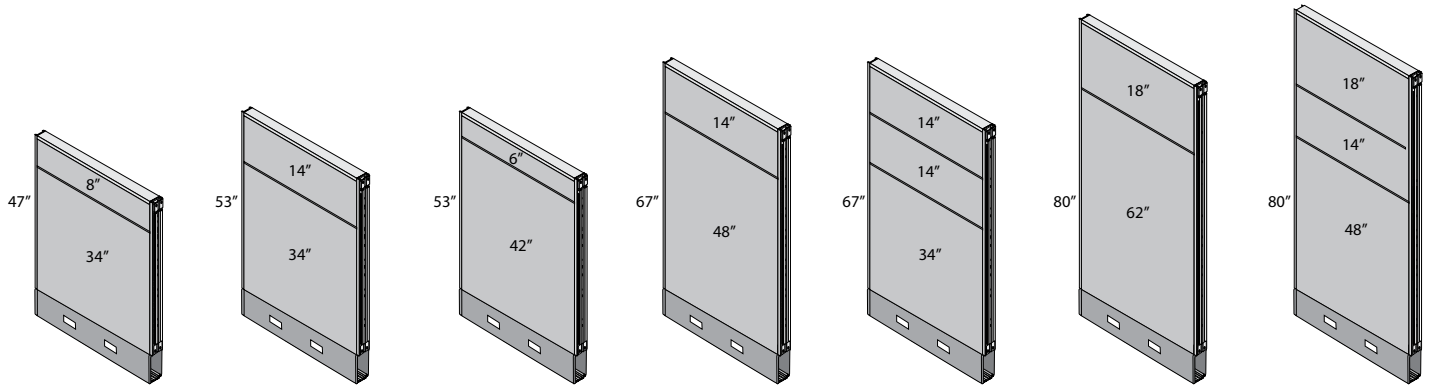
Ao/PolyPanel

Rigid Construction, Flexible in Function

Assembly of the Compatico PolyPanel System is easy. It uses standard Compatico Ao¹/Ao² hardware that adds strength and stability to any office layout. Base panels come in a variety of sizes and work with 6", 8", and 14" stackers to create the panel height you desire.



PolyPanel Statement of Line

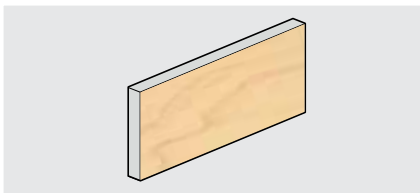


To maintain OEM standard heights – New panel height desired:

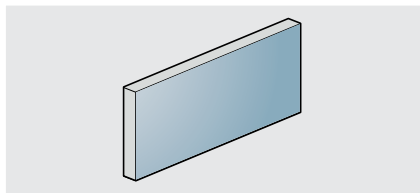
47" = 34" existing panel + 8" stacker
 53" = 34" existing panel + 14" stacker
 53" = 42" existing panel + 6" stacker
 67" = 48" existing panel + 14" stacker

67" = 34" existing panel + 14" stacker + 14" stacker
 80" = 62" existing panel + 18" stacker
 80" = 48" existing panel + 18" stacker + 14" stacker

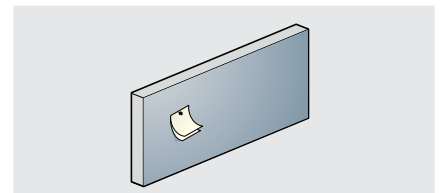
Stacker Options



Laminate



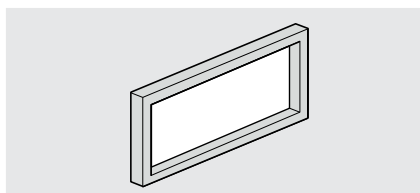
Fabric Covered Hard Surface



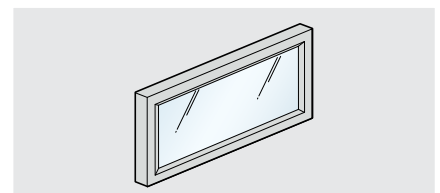
Fabric Covered Tackable or Acoustical



Marker Board
Metal Frame



Open Pass-Through
Metal Frame



Glass (Clear/Smoked/Frosted)
Metal Frame

For Retrofitting or Field Installation of Ao/PolyPanel Kits visit www.compaticoparts.com or contact customer service department (800.336.1772).



1. Maximum of two PolyPanels may be safely added to donor panels to reach desired finished height.
2. Stacking two PolyPanel metal frames on top of each other is not an option.

Donor Panel	Action	Desired Panel Height		
34" H	Add	42" H	48" H	62" H
		<ol style="list-style-type: none"> 1. 8" stacker 2. Use 42" H standard Herman Miller® (HM) panel hardware 3. Add new top cap stacker 	<ol style="list-style-type: none"> 1. 14" H stacker OR 2. One 6" H plus one 8" H stacker 3. Use 48" H standard HM panel hardware 4. Add new top cap to 6" or 8" stacker 5. Note: 14" H metal frame stacker is assembled and includes top cap. 	<ol style="list-style-type: none"> 1. Two 14" H stackers (stackers may be two 14" fabric stackers, OR one fabric stacker and one metal frame stacker). Note: metal frame stacker must be top stacker. 2. Use 62" H standard HM panel hardware 3. If 14" H fabric stacker is on top use new top cap 4. Metal frame 14" stacker is assembled and includes top cap.
42" H	Add	48" H	62" H	
		<ol style="list-style-type: none"> 1. 6" H stacker 2. Use 48" H standard HM panel hardware 3. Add new top cap to top of 6" H stacker 	<ol style="list-style-type: none"> 1. One 6" H stacker and one 14" H fabric stacker OR one 14" H metal frame stacker. Note: metal frame stacker must be top stacker. 2. Use 62" H standard HM panel hardware 3. If 14" H fabric stacker is on top use new top cap 4. Metal frame 14" stacker is assembled and includes top cap. 	
48" H	Add	62" H		
		<ol style="list-style-type: none"> 1. One 14" H fabric or metal frame stacker OR one 6" fabric stacker and one 8" H fabric stacker 2. 6", 8", 14" fabric stacker requires new top cap 3. Metal frame 14" stacker is assembled and includes top cap. 		
62" H	Add	80" H		
		<ol style="list-style-type: none"> 1. One 18" H fabric or metal frame stacker 2. Use 80" H standard HM panel hardware 3. 18" H fabric stacker requires new top cap 4. Metal frame 18" H stacker is assembled and includes top cap 		

Learn more about Ao/PolyPanel Field Installed kits at www.compaticoparts.com or call customer service: 1-800-336-1772

1. Maximum of two PolyPanels may be safely added to donor panels to reach desired finished height.
2. Stacking two PolyPanel metal frames on top of each other is not an option.

T.E. Berry & Associates
 PO Box 9606
 Wichita, KS 67277-0606
 316 942-4100
info@teberry.com